



衍惠电子

AC SOCKET

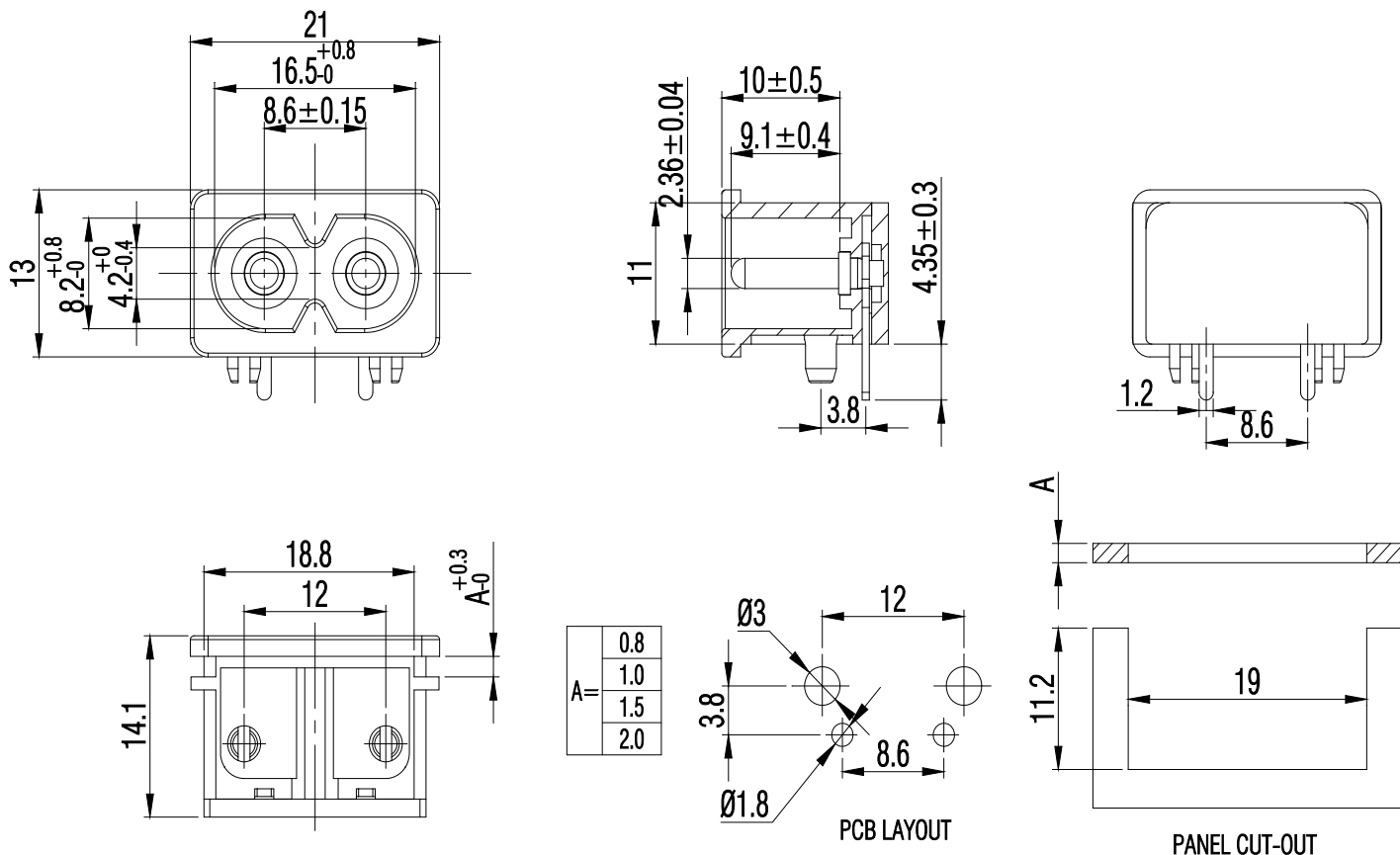


DB-14-T-9-P9(G) 2.5A/250Vac & 5A/250Vac

SPECIFICATION

	1. Dielectric withstand strength	AC 2000V/1min
	2. Insulation resistance	≥100MΩ
	3. Operation force	1.5~5kgf
	4. Pull force of terminal	60N
	5. Solderability test	230±5°C / 3S
	6. Soldering heat resistance	260±5°C / 5S
	7. Life test	6,000 cycle
	8. Heat resistance	80±2°C / 96h
	9. Cold resistance	-20±2°C / 96h
	10. Salt spray test	24h

DRAWING



Terminals Type

P4	P6	P9	P17	P25	S2	S2B