



衍惠电子

AC SOCKET



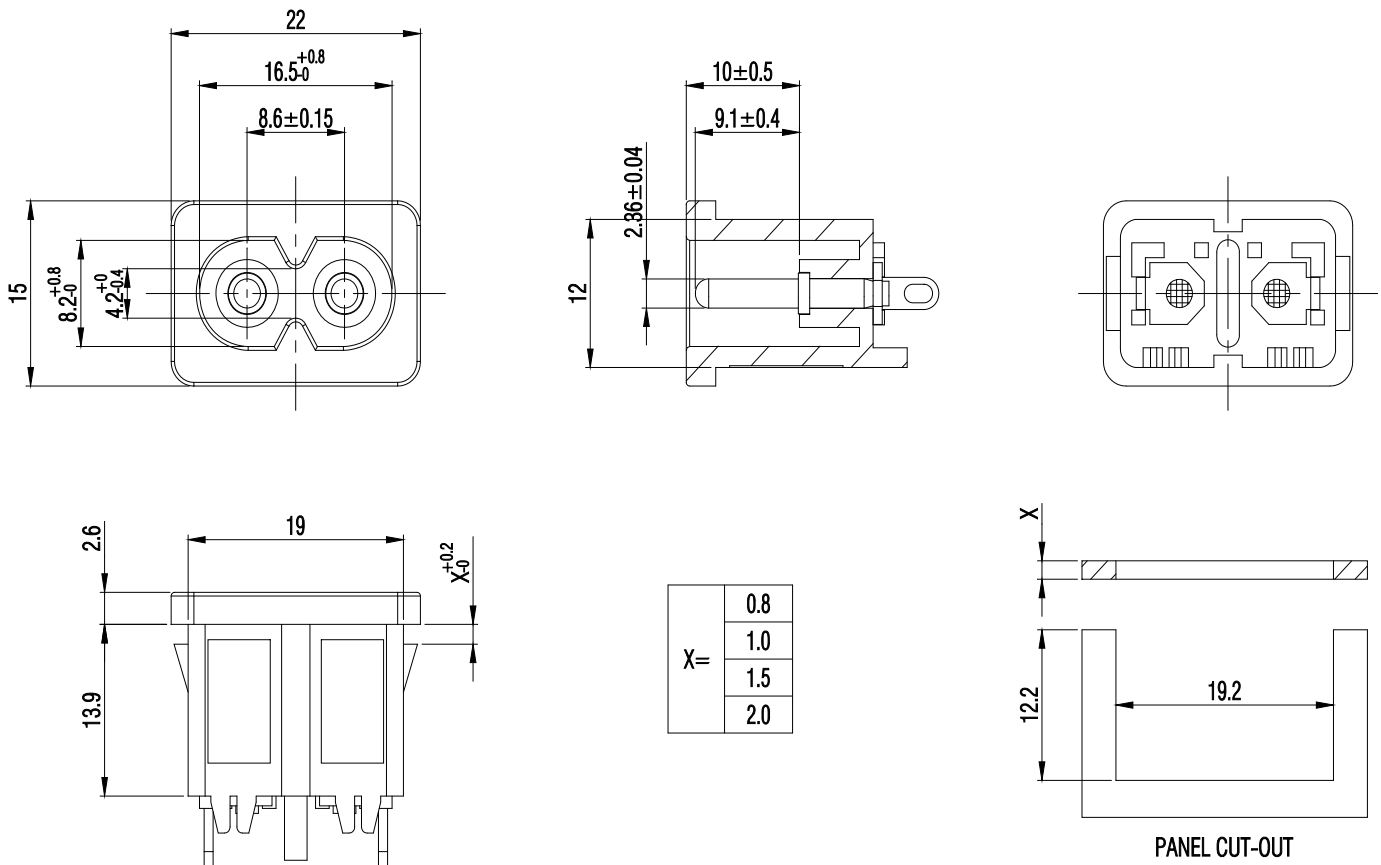
DB-14-T-3-S1 2.5A/250Vac & 5A/250Vac

SPECIFICATION



|                                  |  |
|----------------------------------|--|
| 1. Dielectric withstand strength | AC 2000V/1min                          |
| 2. Insulation resistance         | $\geq 100M\Omega$                      |
| 3. Operation force               | 1.5~5kgf                               |
| 4. Pull force of terminal        | 60N                                    |
| 5. Solderability test            | $230 \pm 5^\circ\text{C} / 3\text{S}$  |
| 6. Soldering heat resistance     | $260 \pm 5^\circ\text{C} / 5\text{S}$  |
| 7. Life test                     | 6,000 cycle                            |
| 8. Heat resistance               | $80 \pm 2^\circ\text{C} / 96\text{h}$  |
| 9. Cold resistance               | $-20 \pm 2^\circ\text{C} / 96\text{h}$ |
| 10. Salt spray test              | 24h                                    |

DRAWING



Terminals Type

