



衍惠电子

AC SOCKET



DB-14-S-5-P14P6

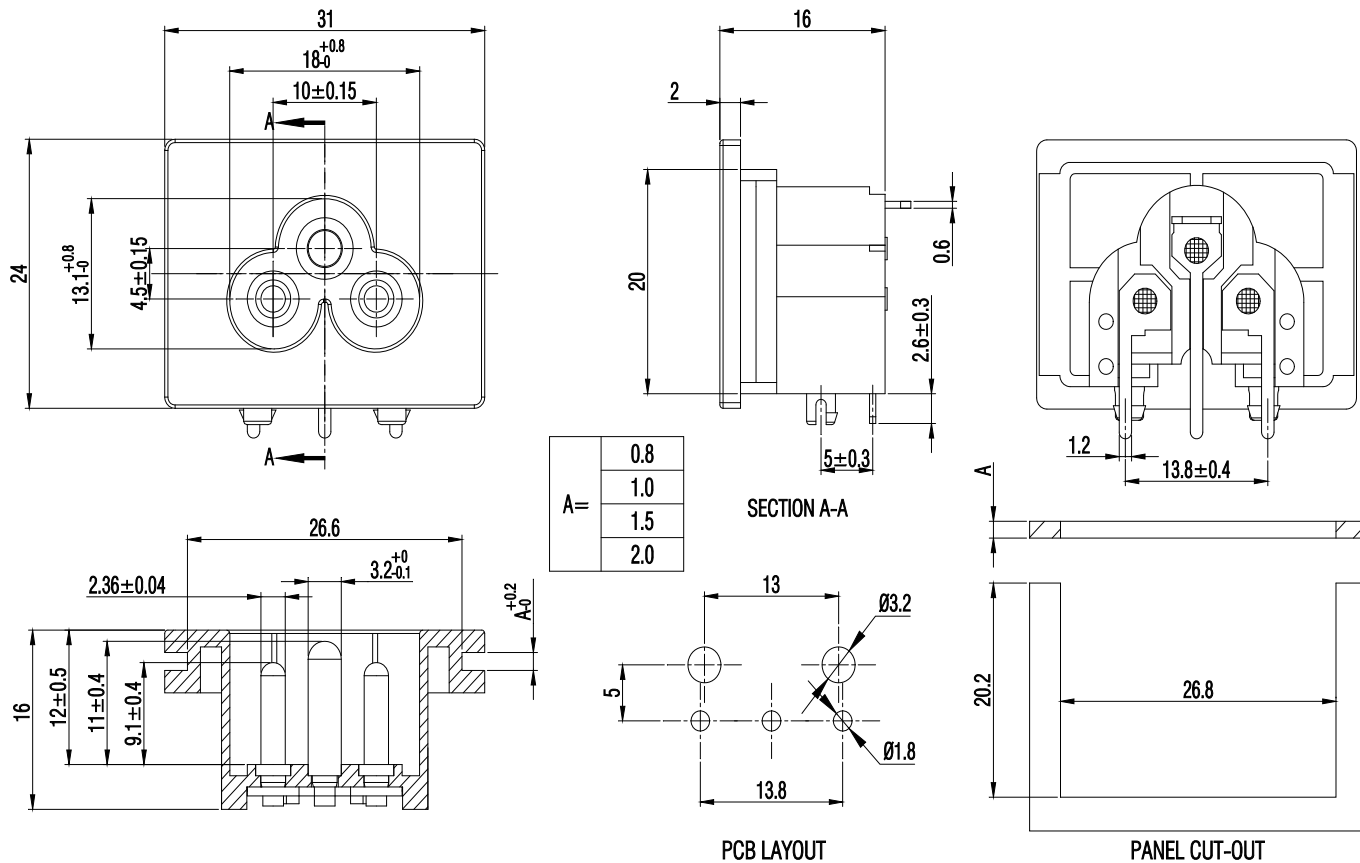
2.5A/250Vac & 5A/250Vac

SPECIFICATION



- | | |
|----------------------------------|---------------|
| 1. Dielectric withstand strength | AC 2000V/1min |
| 2. Insulation resistance | ≥100MΩ |
| 3. Operation force | 1.5~5kgf |
| 4. Pull force of terminal | 60N |
| 5. Solderability test | 230±5°C / 3S |
| 6. Soldering heat resistance | 260±5°C / 5S |
| 7. Life test | 6,000 cycle |
| 8. Heat resistance | 80±2°C / 96h |
| 9. Cold resistance | -20±2°C / 96h |
| 10. Salt spray test | 24h |

DRAWING



Terminals Type

Middle Terminal	P4	P5	P14	P19	P15	P16	S1	S1B	S2	P18	S3
Side Terminal	P3	P6	P7	P8	P9	P11	P17	S1	S8	P12	