



衍惠电子

AC SOCKET

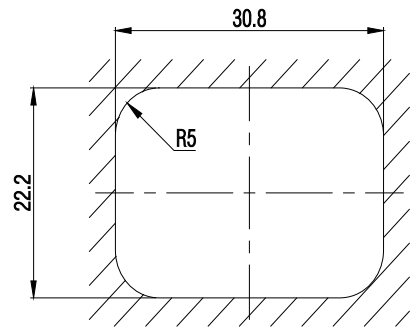
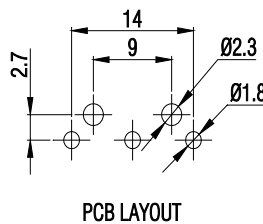
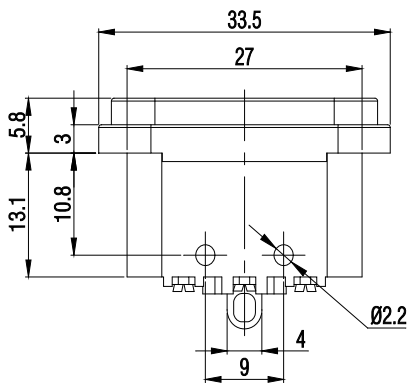
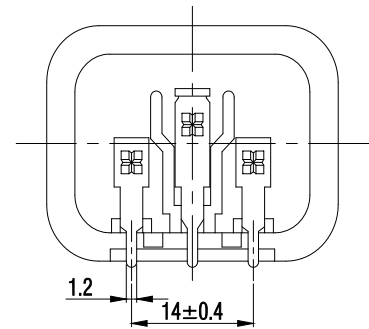
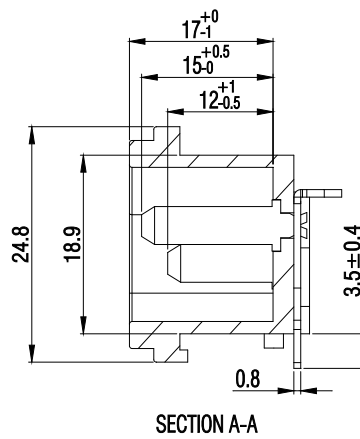
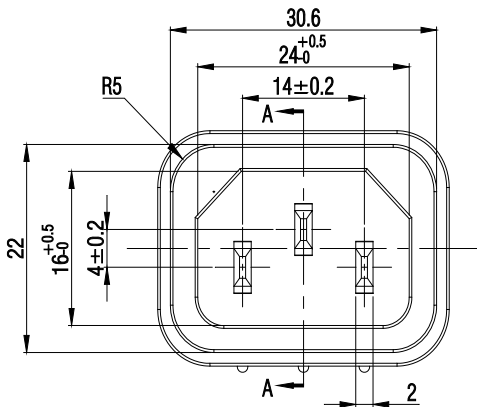


DB-14-8P-S33 10A/250Vac & 15A/125Vac

SPECIFICATION

|  |                                  |               |
|--|----------------------------------|---------------|
|  | 1. Dielectric withstand strength | AC 2000V/1min |
|  | 2. Insulation resistance         | ≥100MΩ        |
|  | 3. Operation force               | 1.5~5kgf      |
|  | 4. Pull force of terminal        | 60N           |
|  | 5. Solderability test            | 230±5°C / 3S  |
|  | 6. Soldering heat resistance     | 260±5°C / 5S  |
|  | 7. Life test                     | 6,000 cycle   |
|  | 8. Heat resistance               | 80±2°C / 96h  |
|  | 9. Cold resistance               | -20±2°C / 96h |
|  | 10. Salt spray test              | 24h           |

DRAWING



FOR FRONT MOUNTING USE

Terminals Type

| Terminal Type   | Terminal Name | Terminal Size | Terminal Name | Terminal Size | Terminal Name | Terminal Size | Terminal Name | Terminal Size | Terminal Name | Terminal Size |     |     |     |     |     |     |     |   |
|-----------------|---------------|---------------|---------------|---------------|---------------|---------------|---------------|---------------|---------------|---------------|-----|-----|-----|-----|-----|-----|-----|---|
| Middle Terminal | A=            | S3            | 3.5           | B=            | 3             | 3.5           | R1            | 3.6           | R             | 2.6           |     |     |     |     |     |     |     |   |
|                 |               | S4            | 4.0           |               | 4             | 4.0           | D             | 4.8           | W             | 6.3           | Q   | 4.0 | E   |     |     |     |     |   |
|                 |               | S5            | 5.0           |               | 5             | 5.0           | R1            | 3.6           | R             | 2.6           | D   | 4.8 | W   | 6.3 | Q   | 4.0 | E   |   |
|                 |               | S6            | 5.7           |               | 6             | 5.7           | R1            | 3.6           | R             | 2.6           | D   | 4.8 | W   | 6.3 | Q   | 4.0 | E   |   |
|                 |               | S1            | 10.5          |               | 1             | 10.5          | R1            | 3.6           | R             | 2.6           | D   | 4.8 | W   | 6.3 | Q   | 4.0 | E   |   |
|                 |               | Side Terminal | C=            |               | 3             | 3.5           | D=            | J3            | 3.5           | R1            | 3.6 | R   | 2.6 | D   | 4.8 | W   | 6.3 | Q |
| 4               | 4.0           |               |               | J4            | 4.0           | R1            |               | 3.6           | R             | 2.6           | D   | 4.8 | W   | 6.3 | Q   | 4.0 | H   |   |
| 5               | 5.0           |               |               | J5            | 5.0           | R1            |               | 3.6           | R             | 2.6           | D   | 4.8 | W   | 6.3 | Q   | 4.0 | H   |   |
| 6               | 5.7           |               |               | J6            | 5.7           | R1            |               | 3.6           | R             | 2.6           | D   | 4.8 | W   | 6.3 | Q   | 4.0 | H   |   |
| 1               | 10.5          |               |               | J1            | 10.5          | R1            |               | 3.6           | R             | 2.6           | D   | 4.8 | W   | 6.3 | Q   | 4.0 | H   |   |
|                 |               |               |               |               |               |               |               |               |               |               |     |     |     |     |     |     |     |   |