



衍惠电子

AC SOCKET



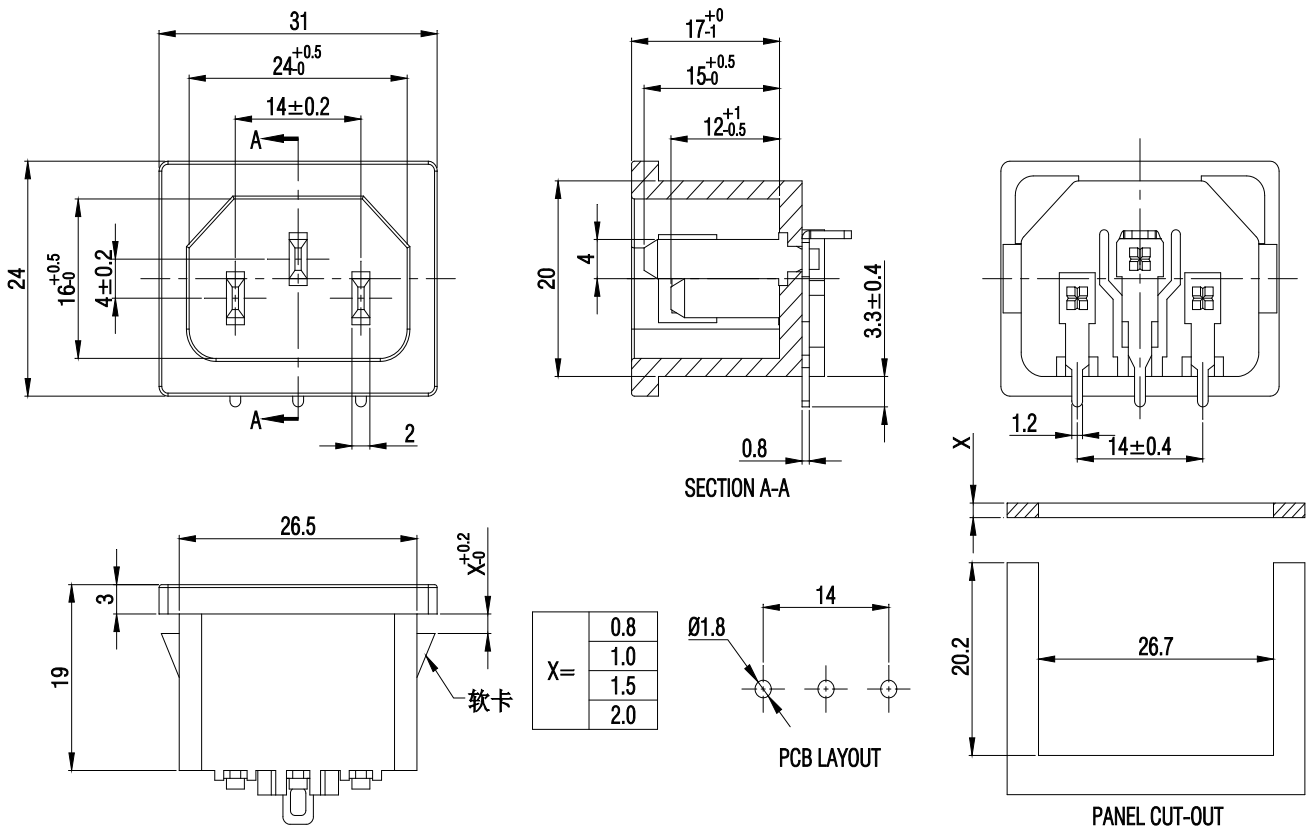
DB-14-4P-S33 10A/250Vac & 15A/125Vac

SPECIFICATION



- | | |
|----------------------------------|--|
| 1. Dielectric withstand strength | AC 2000V/1min |
| 2. Insulation resistance | $\geq 100M\Omega$ |
| 3. Operation force | 1.5~5kgf |
| 4. Pull force of terminal | 60N |
| 5. Solderability test | $230 \pm 5^\circ\text{C} / 3\text{S}$ |
| 6. Soldering heat resistance | $260 \pm 5^\circ\text{C} / 5\text{S}$ |
| 7. Life test | 6,000 cycle |
| 8. Heat resistance | $80 \pm 2^\circ\text{C} / 96\text{h}$ |
| 9. Cold resistance | $-20 \pm 2^\circ\text{C} / 96\text{h}$ |
| 10. Salt spray test | 24h |

DRAWING



Terminals Type

Terminal Type	Terminal Name	Terminal Size	Terminal Name	Terminal Size	Terminal Name	Terminal Size	Terminal Name	Terminal Size	Terminal Name	Terminal Size				
Middle Terminal	A=	S3	3.5	B=	3	3.5	R1	3.6	R	2.6				
		S4	4.0		4	4.0	D	4.8	W	6.3	Q	4.0	E	
		S5	5.0		5	5.0	J1	10.5						
		S6	5.7		6	5.7								
		S1	10.5		1	10.5								
		Side Terminal	C=		3	3.5	D=	J3	3.5	R1	3.6	R	2.6	
4	4.0			J4	4.0	D		4.8	W	6.3	Q	4.0	H	
5	5.0			J5	5.0									
6	5.7			J6	5.7									
1	10.5			J1	10.5									