



衍惠电子

AC SOCKET



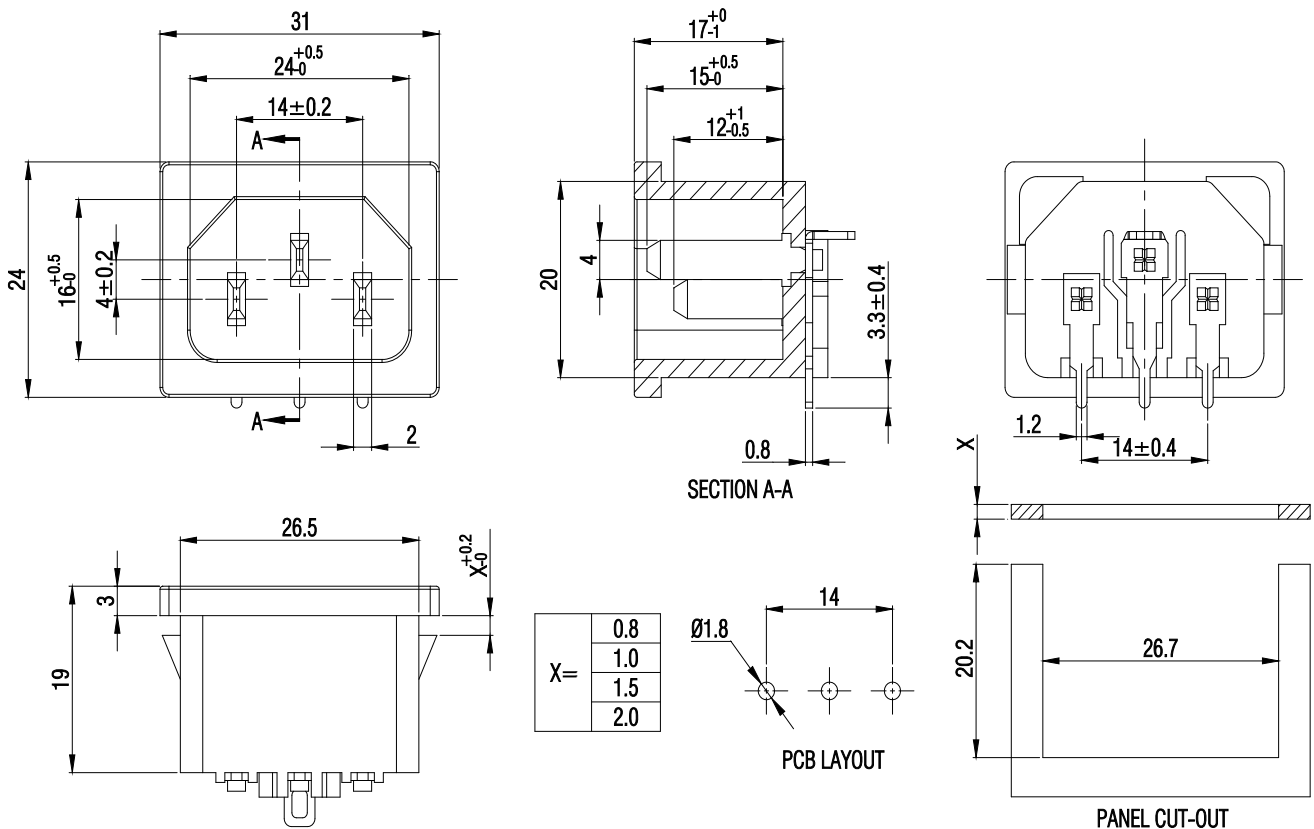
DB-14-3P-S33 10A/250Vac & 15A/125Vac

SPECIFICATION



- | | |
|----------------------------------|---------------|
| 1. Dielectric withstand strength | AC 2000V/1min |
| 2. Insulation resistance | ≥100MΩ |
| 3. Operation force | 1.5~5kgf |
| 4. Pull force of terminal | 60N |
| 5. Solderability test | 230±5°C / 3S |
| 6. Soldering heat resistance | 260±5°C / 5S |
| 7. Life test | 6,000 cycle |
| 8. Heat resistance | 80±2°C / 96h |
| 9. Cold resistance | -20±2°C / 96h |
| 10. Salt spray test | 24h |

DRAWING



Terminals Type

Terminal Type	Terminal Name	Terminal Size	Terminal Name	Terminal Size	Terminal Name	Terminal Size	Terminal Name	Terminal Size	Terminal Name	Terminal Size				
Middle Terminal	A=	S3	3.5	B=	3	3.5	R1	3.6	R	2.6				
		S4	4.0		4	4.0	D	4.8	W	6.3	Q	4.0	E	
		S5	5.0		5	5.0	W	6.3	Q	4.0				
		S6	5.7		6	5.7	Q	4.0						
		S1	10.5		1	10.5	H							
		Side Terminal	C=		3	3.5	D=	J3	3.5	R1	3.6	R	2.6	
4	4.0			J4	4.0	D		4.8	W	6.3	Q	4.0	H	
5	5.0			J5	5.0	W		6.3	Q	4.0				
6	5.7			J6	5.7	Q		4.0						
1	10.5			J1	10.5	H								