



衍惠电子

AC SOCKET CULUS



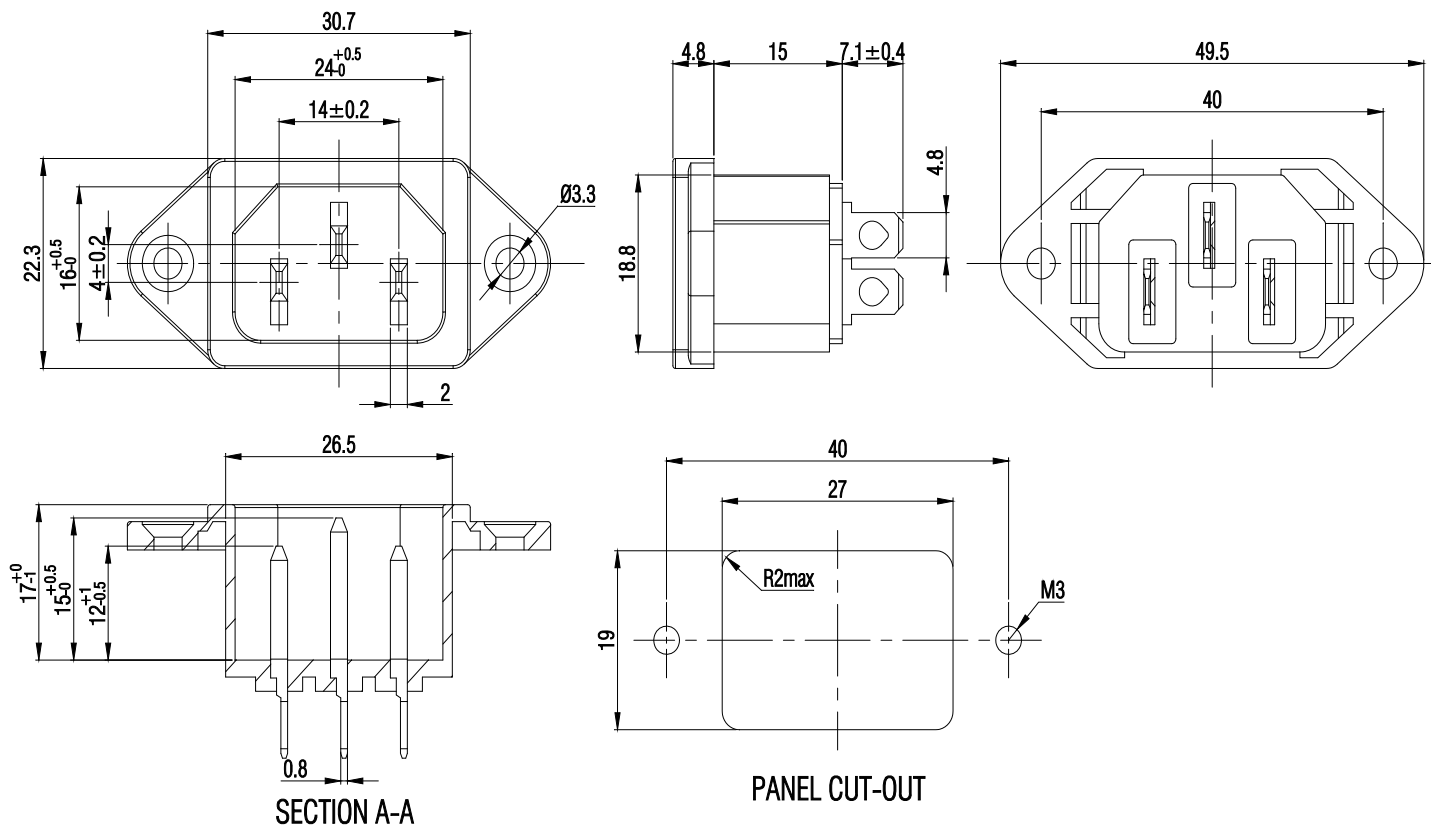
DB-14-1 10A/250Vac & 15A/125Vac

SPECIFICATION

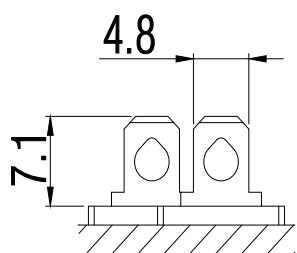


1. Dielectric withstand strength	AC 2000V/1min
2. Insulation resistance	≥100MΩ
3. Operation force	1.5~5kgf
4. Pull force of terminal	60N
5. Solderability test	230±5°C / 3S
6. Soldering heat resistance	260±5°C / 5S
7. Life test	6,000 cycle
8. Heat resistance	80±2°C / 96h
9. Cold resistance	-20±2°C / 96h
10. Salt spray test	24h

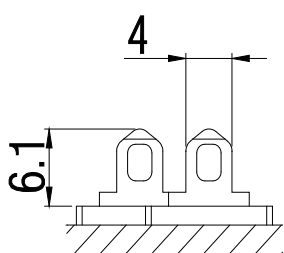
DRAWING



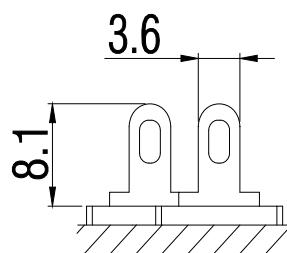
Terminals Type



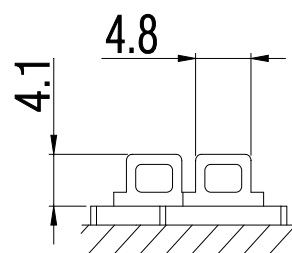
Non



S



A



F1